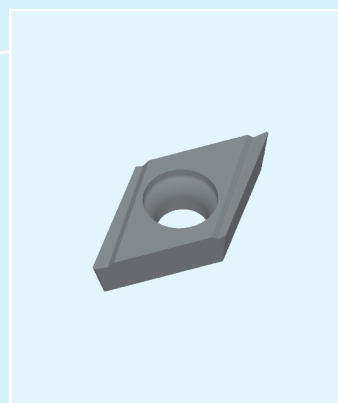


## ISO Plaque de coupe amovible ISO Inserti intercambiabili

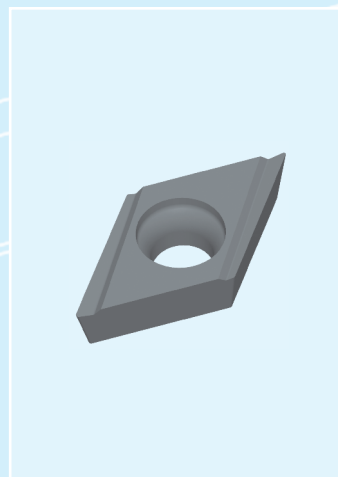
### DCET 0702

Dimension Dimensione		Rayon Raggio	M10/30 D20	M10/30 D60
0702003	FL	0.03	418229	418251
070201	FL	0.1	418230	418252
070202	FL	0.2	418231	418253
070204	FL	0.4	418232	418254
<hr/>				
0702003	FR	0.03	418233	418255
070201	FR	0.1	418234	418256
070202	FR	0.2	418235	418257
070204	FR	0.4	418236	418258



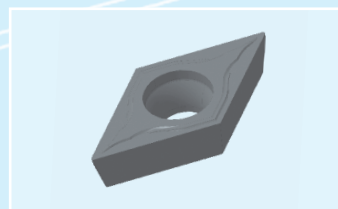
### DCET 11T3

Dimension Dimensione		Rayon Raggio	M10/30 D20	M10/30 D60
11T3005	FL	0.05	418237	418259
11T301	FL	0.1	418238	418260
11T302	FL	0.2	418239	418261
11T304	FL	0.4	418240	418262
11T308	FL	0.8	418241	418263
<hr/>				
11T3005	FR	0.05	418242	418264
11T301	FR	0.1	418243	418265
11T302	FR	0.2	418244	418266
11T304	FR	0.4	418245	418267
11T308	FR	0.8	418246	418268



### DCGT 11T3

Dimension Dimensione		Rayon Raggio	M10/30 D20	M10/30 D30	M10/30 D60
11T302	FN	0.2	427451	427452	427453



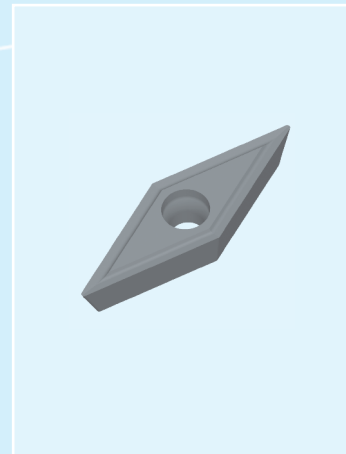
\* Autres revêtements sur demande/ altri rivestimenti su richiesta

1/2

## ISO Plaque de coupe amovible ISO Inserti intercambiabili

### VCGT 1103

Dimension Dimensione		Rayon Raggio	M10/30 D20	M10/30 D30	M10/30 D60
1103005	FN	0.05	418247		418269
1103008	FN	0.08	418248		418270
110302	FN	0.2	418249	427450	418271
<hr/>					
1103000	FL	0.00	423685	423691	423697
1103008	FL	0.08	423686	423692	423698
110302	FL	0.2	423687	423693	423699
<hr/>					
1103000	FR	0.00	423688	423694	423700
1103008	FR	0.08	423689	423695	423701
110302	FR	0.2	423690	423696	423702



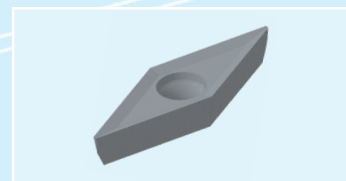
### VCET 1303

Dimension Dimensione		Rayon Raggio	M10/30 D20	M10/30 D60
1303020	FL	0.2	424480	424486
1303040	FL	0.4	424481	424487
1303080	FL	0.8	424482	424488
<hr/>				
1303020	FR	0.2	424483	424489
1303040	FR	0.4	424484	424490
1303080	FR	0.8	424485	424491



### VCGX 1103

Dimension Dimensione		Rayon Raggio	M10/30 D90	M10/30 non- revêtue non rivestiti
1103008	FN	0.08	427449	427448
110302	FN	0.2	427447	427446



\* Autres revêtements sur demande/ altri rivestimenti su richiesta

2/2